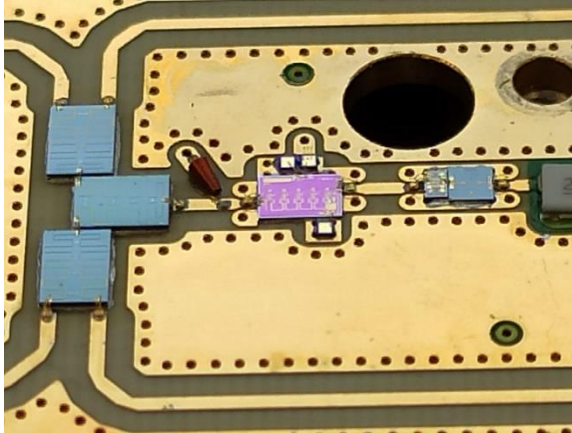


ERZIA



RF FRONT ENDS

ERZIA Front Ends

✓ Frequency Band

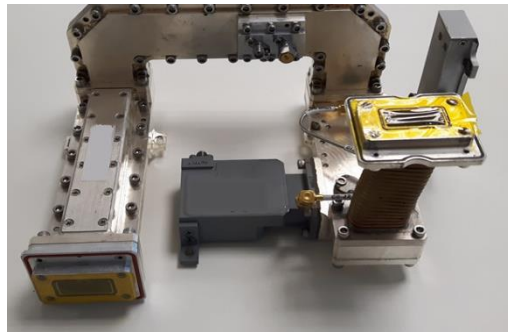
- ✓ S-Band
- ✓ X-Band
- ✓ Ka/K Band
- ✓ Q/V Band

✓ Applications

- ✓ Satcom/Telcom terminals in rugged platforms.
- ✓ RADAR

✓ Wide variety system depending

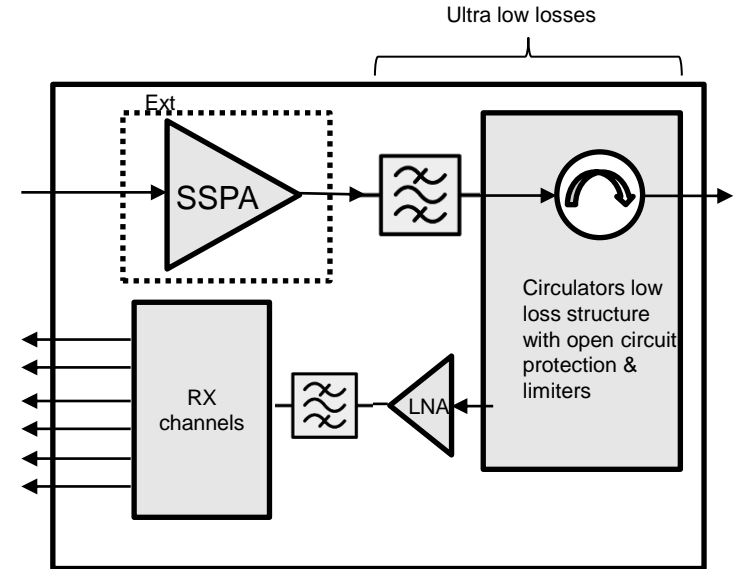
- ✓ From waveguide assemblies to drop-in integrations.



Example of X-Band Front End

✓ Highlights

- ✓ X-Band
- ✓ Airborne RADAR application
- ✓ Robust Mechanical design
- ✓ Ultra low insertion losses in TX path after SSPA
- ✓ Circulators structure with high isolation and integrated protection
- ✓ RF power sensors in TX and RX
- ✓ Very Low Noise
- ✓ Several RX channels with different frequency selection settings
- ✓ Complete set of housekeeping signals



Disclaimer: The units, data and characteristics presented in this document are in general not available for direct sale and are presented as a technical reference of ERZIA capabilities for new designs only. This document does not constitute a formal catalogue, not having ERZIA any obligation or responsibility over the accuracy and repeatability of the data presented, being it's only objective to serve as technical reference. For exact and accurate data for your application performance please contact sales@erzia.com

